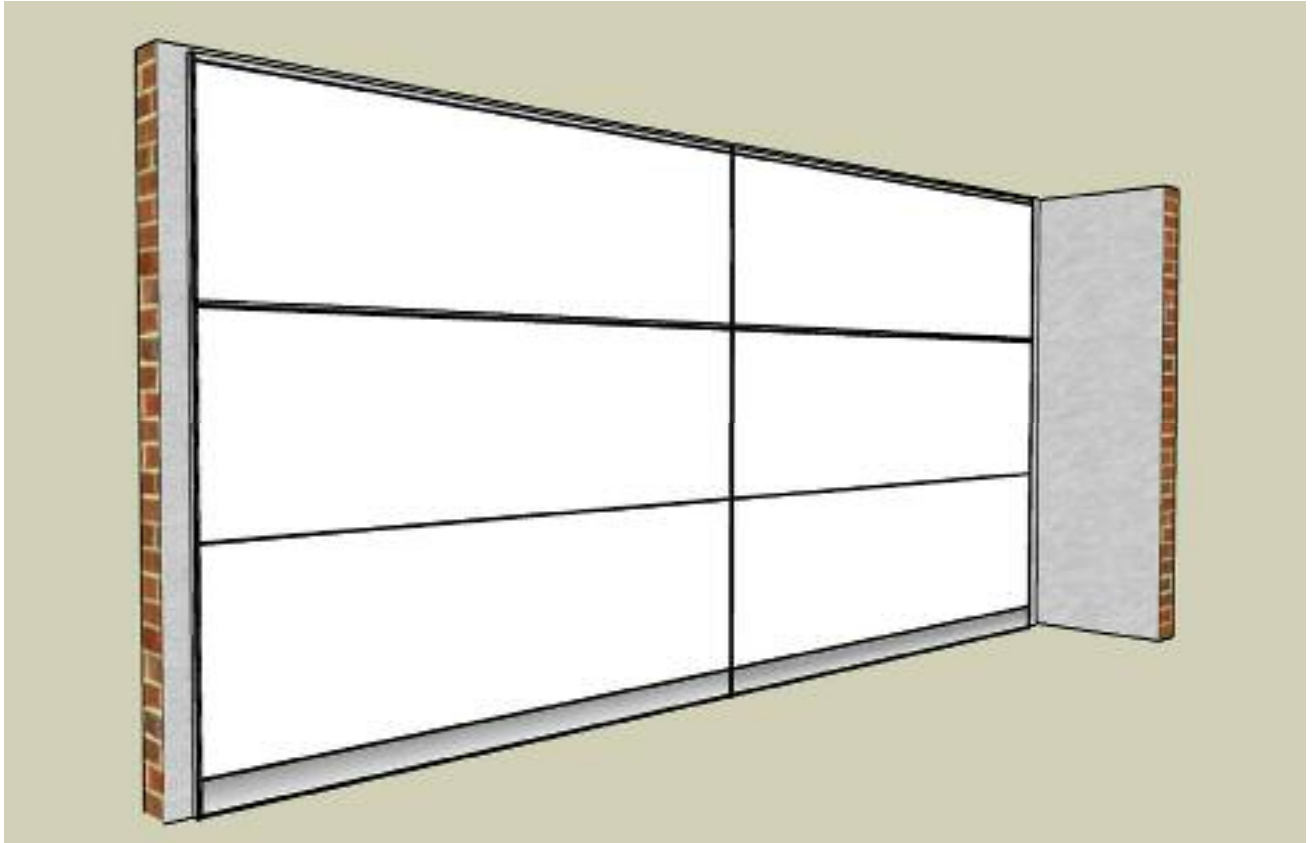


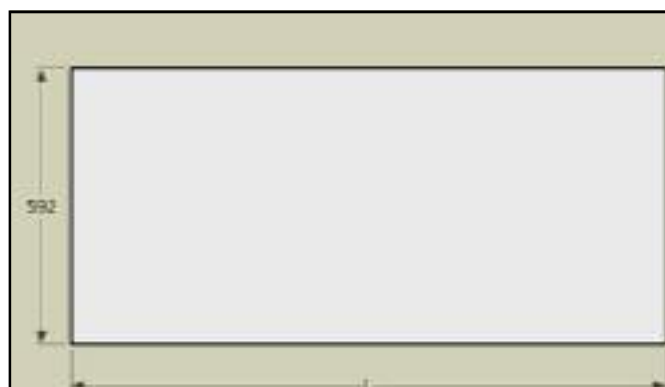
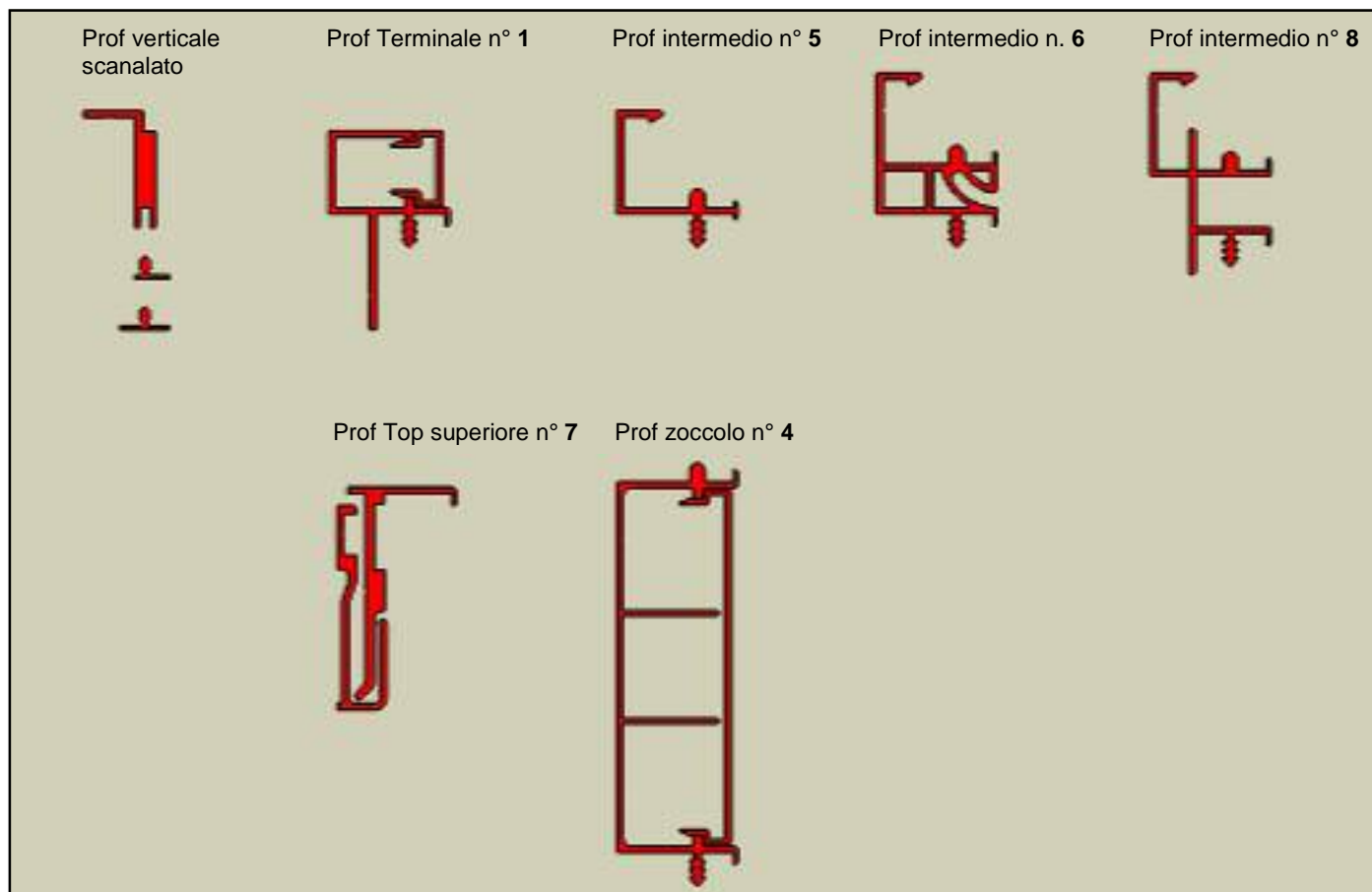
**fantoni**



# ***STILLWALL***

ISTRUZIONI DI MONTAGGIO  
ASSEMBLY INSTRUCTION MANUAL

Aprile 2012



### Pannello Liscio Smooth Panel

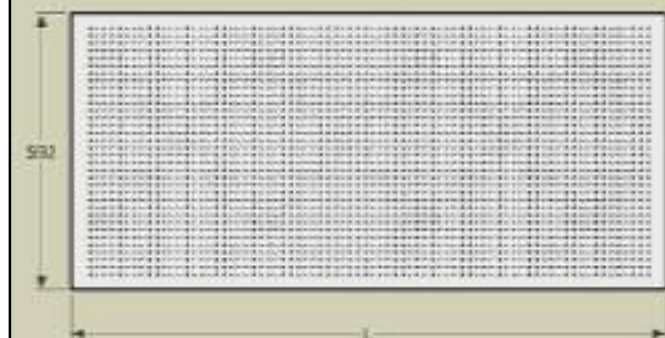
Cod. SW GP1S L= 4086 x H592 mm.

Cod. SW FP1S L= 3840 x H592 mm.

Cod. SW EP1S L= 1920 x H592 mm.

Cod. SW DP1S L=1280 x H592 mm.

Cod. SW CP1S L=960 x H592 mm.



### Pannello microforato Microperforated Panel

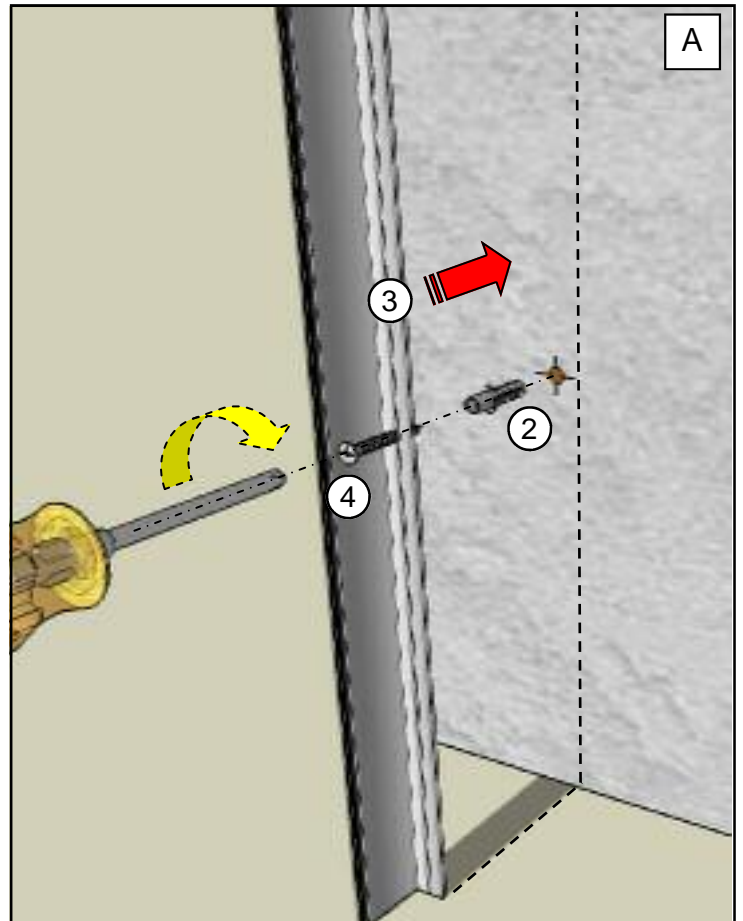
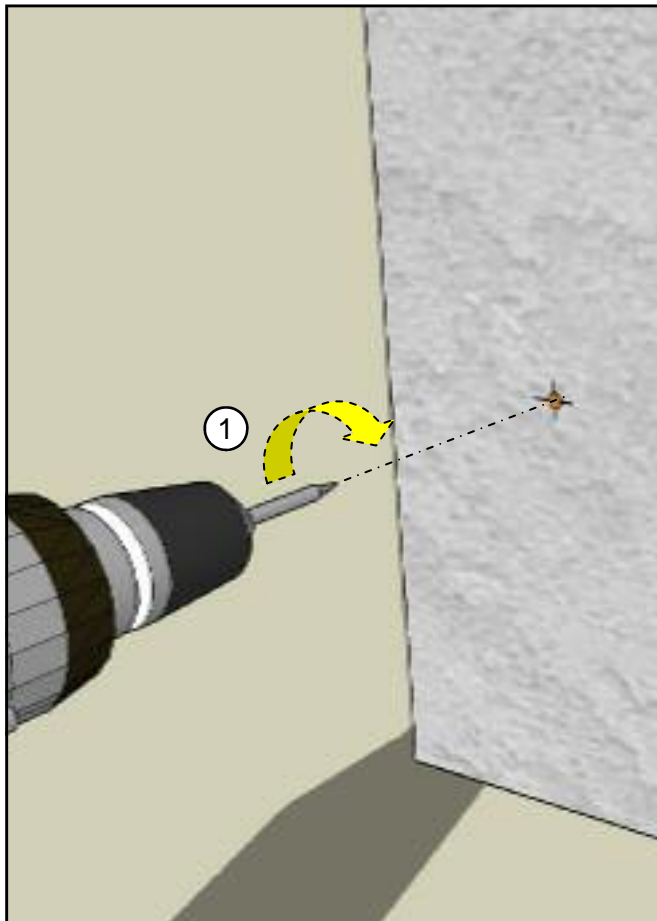
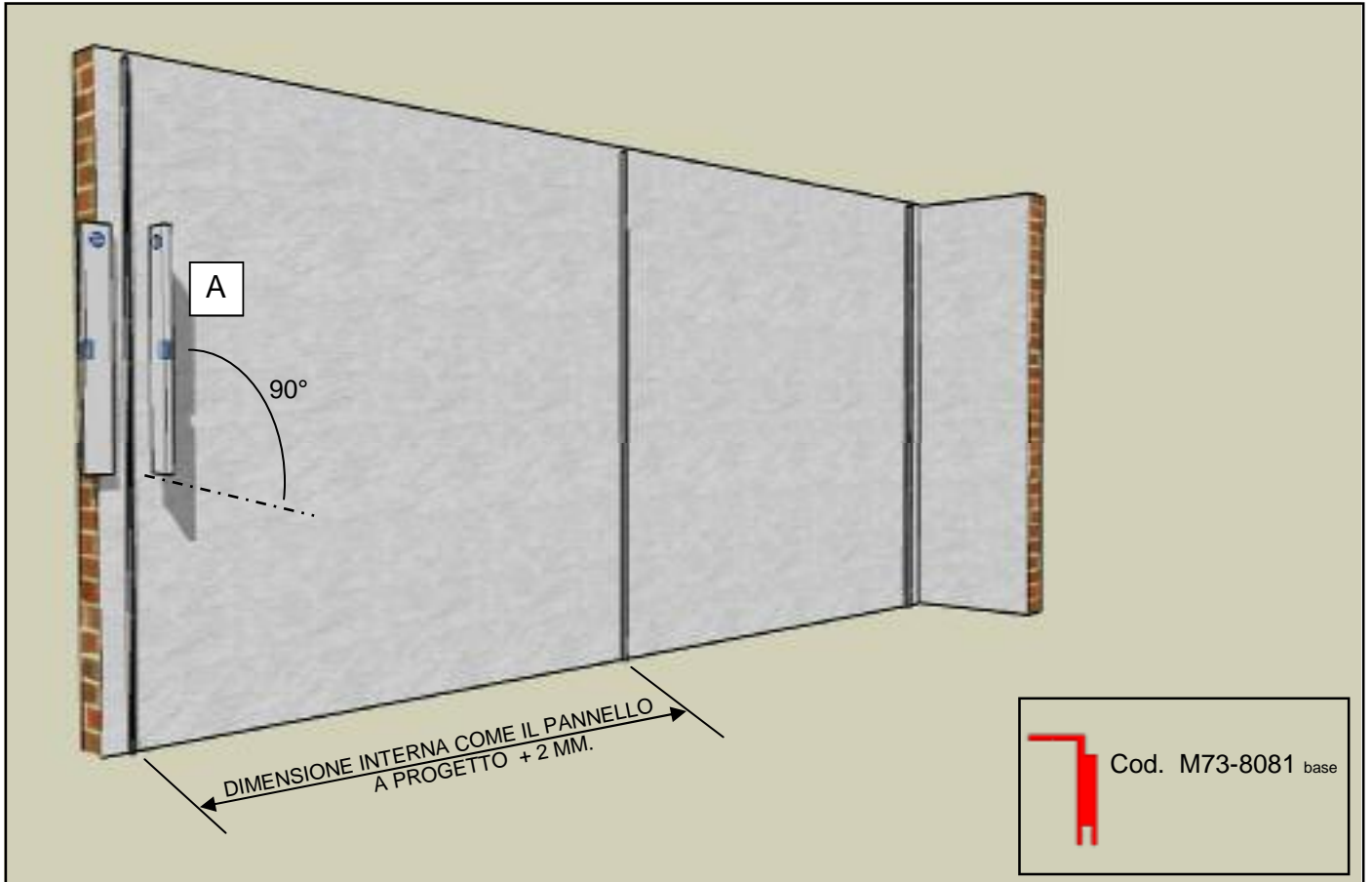
Cod. SW G00S L= 4086 x H592 mm.

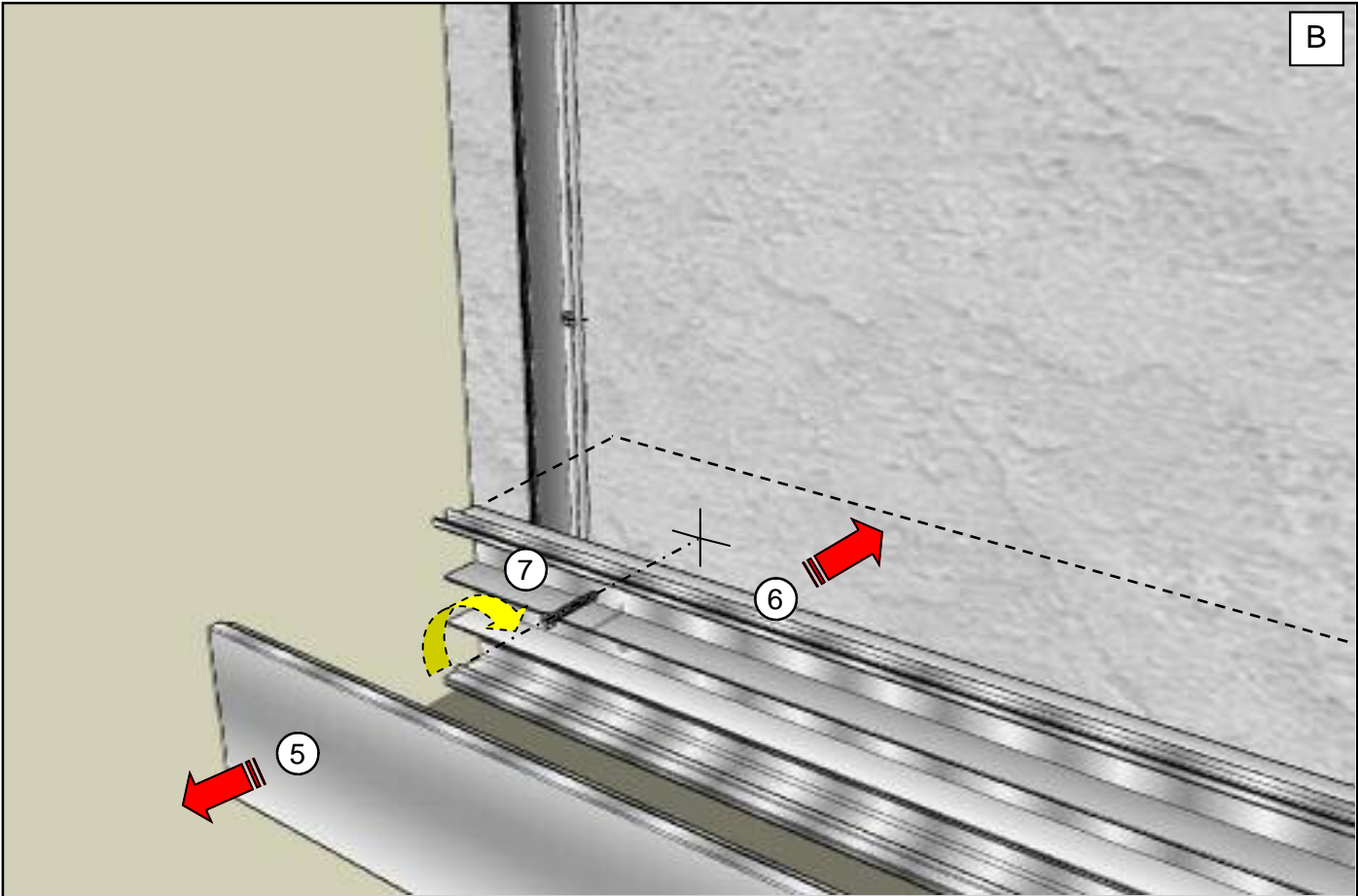
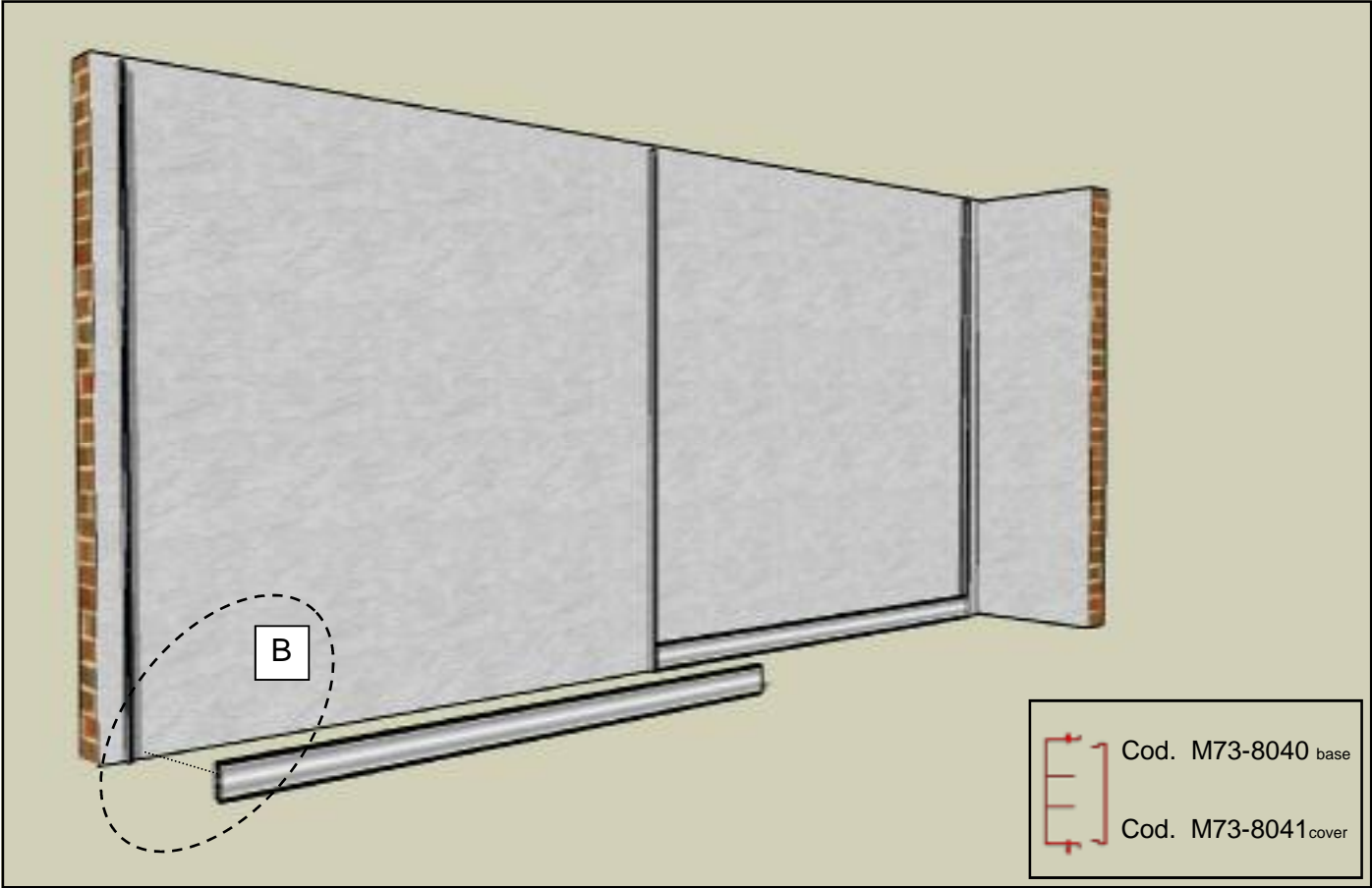
Cod. SW F00S L= 3840 x H592 mm.

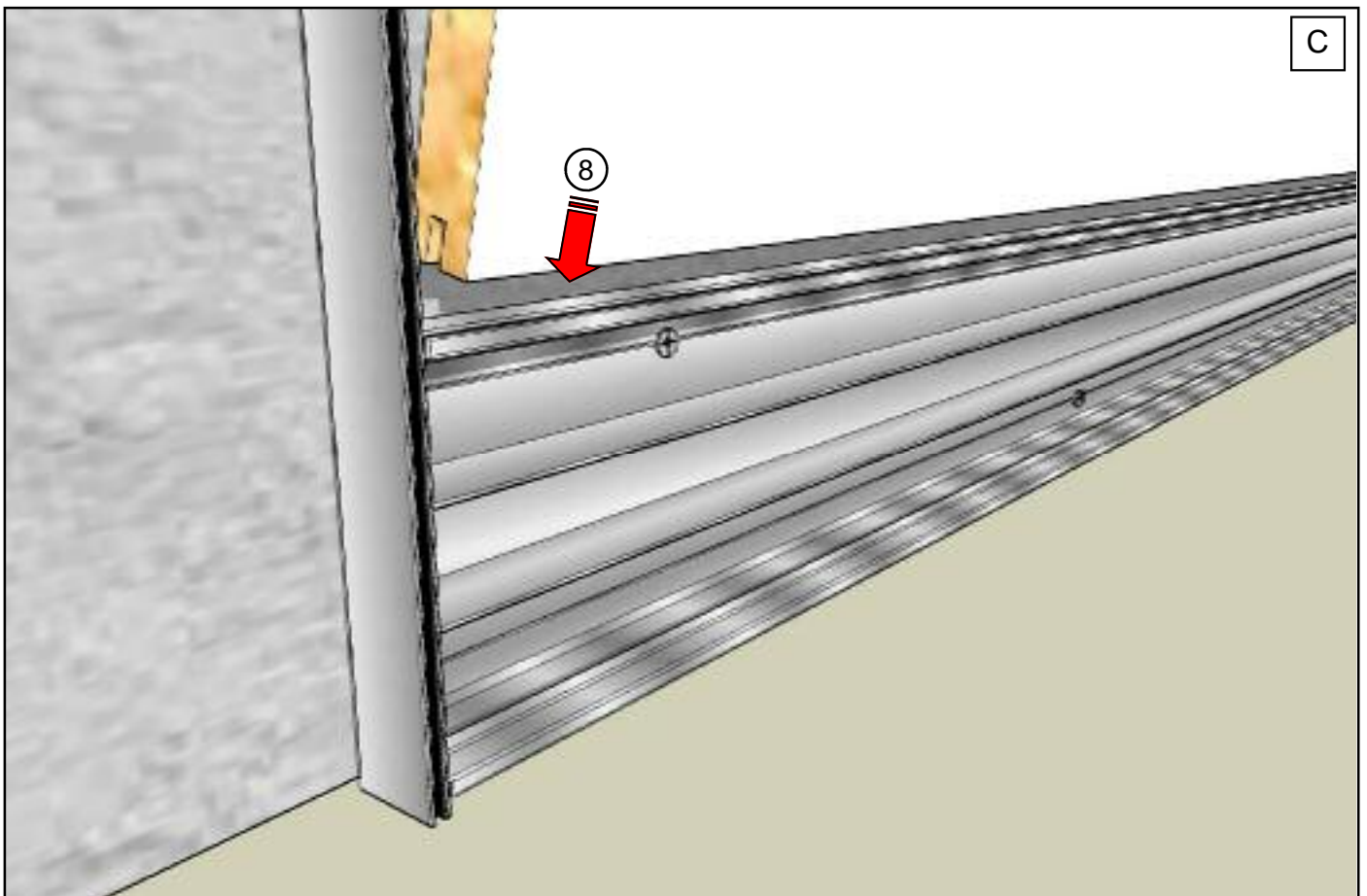
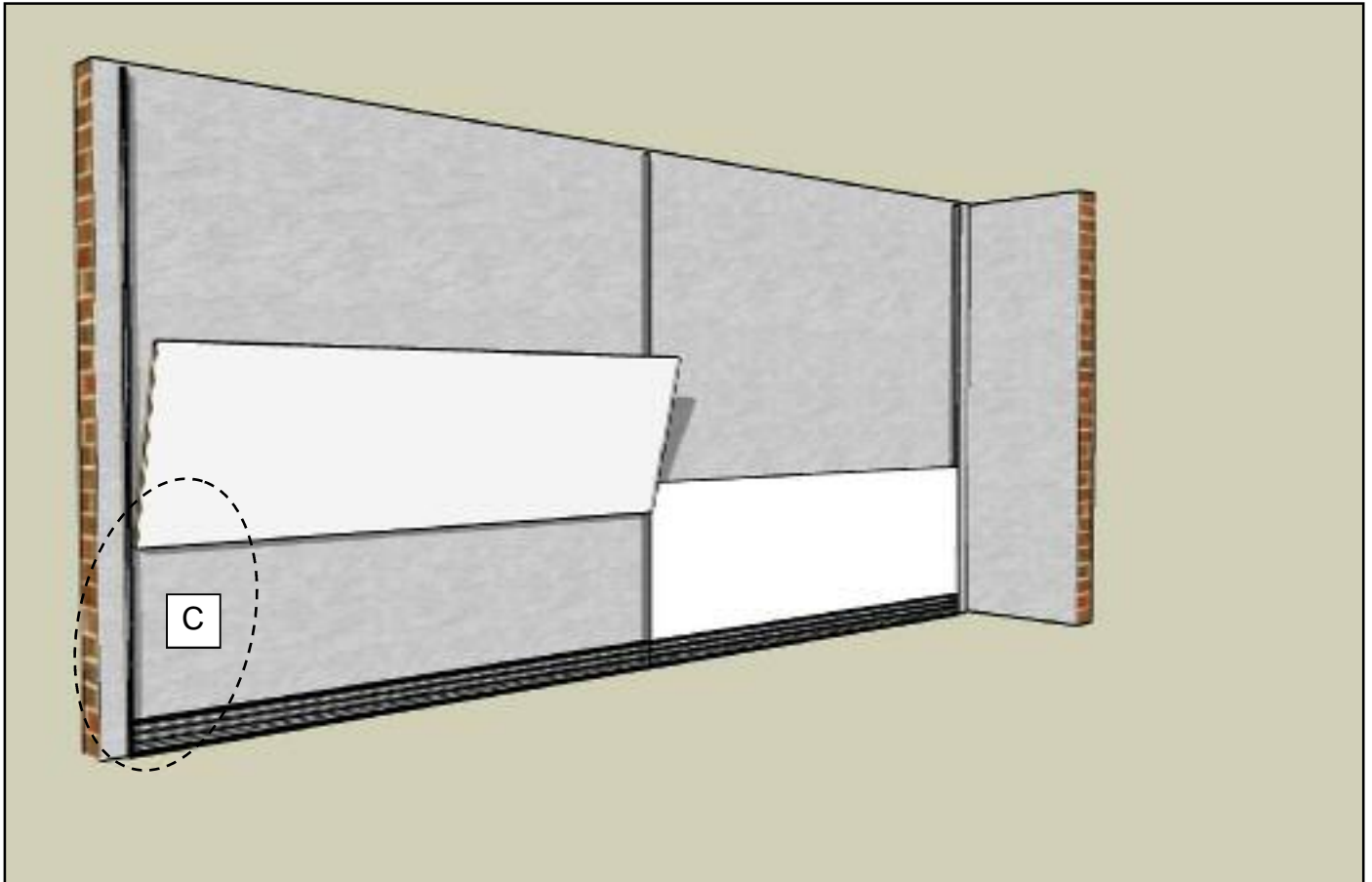
Cod. SW E00S L= 1920 x H592 mm.

Cod. SW D00S L=1280 x H592 mm.

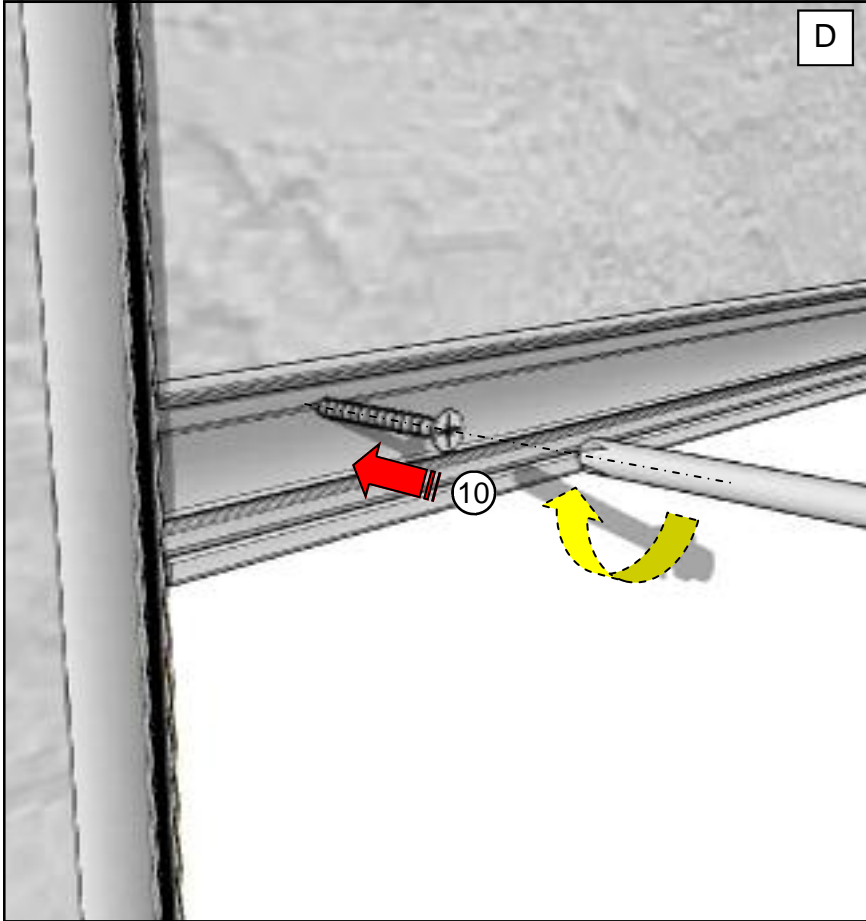
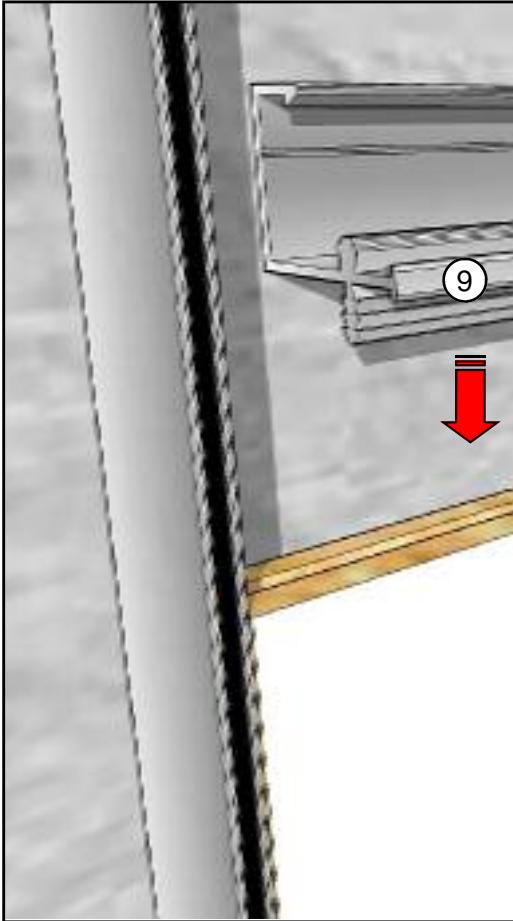
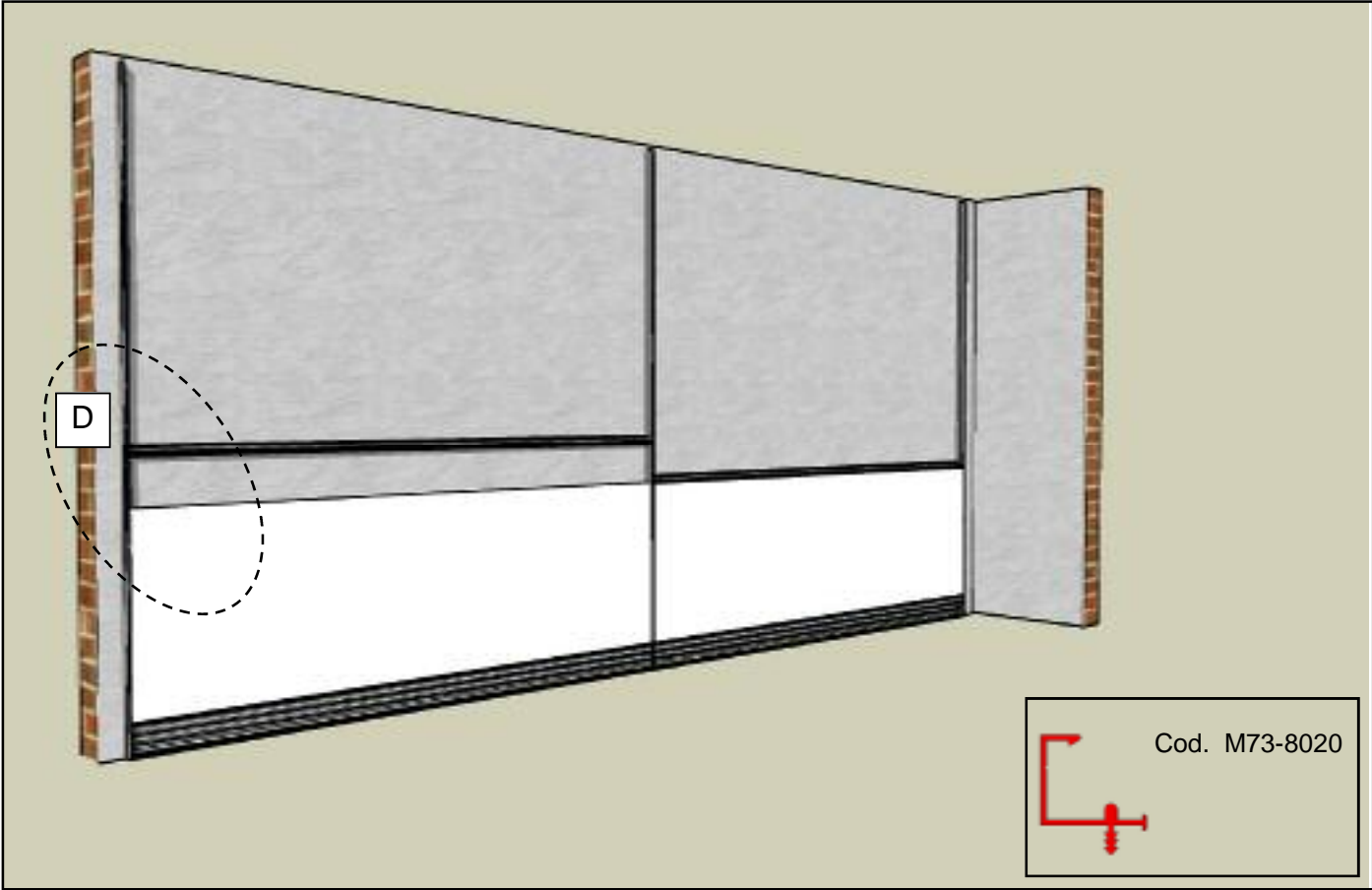
Cod. SW C00S L=960 x H592 mm.

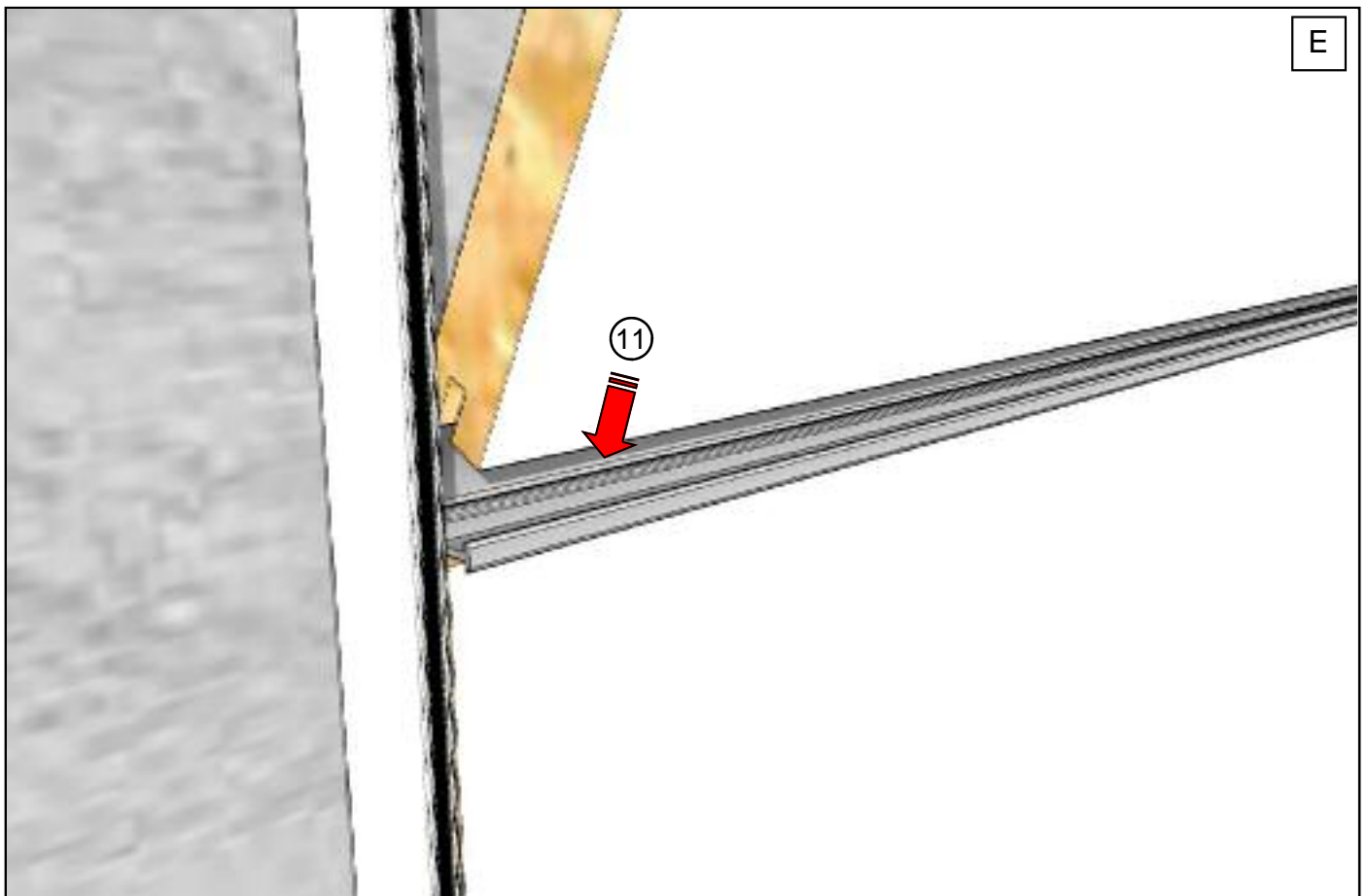
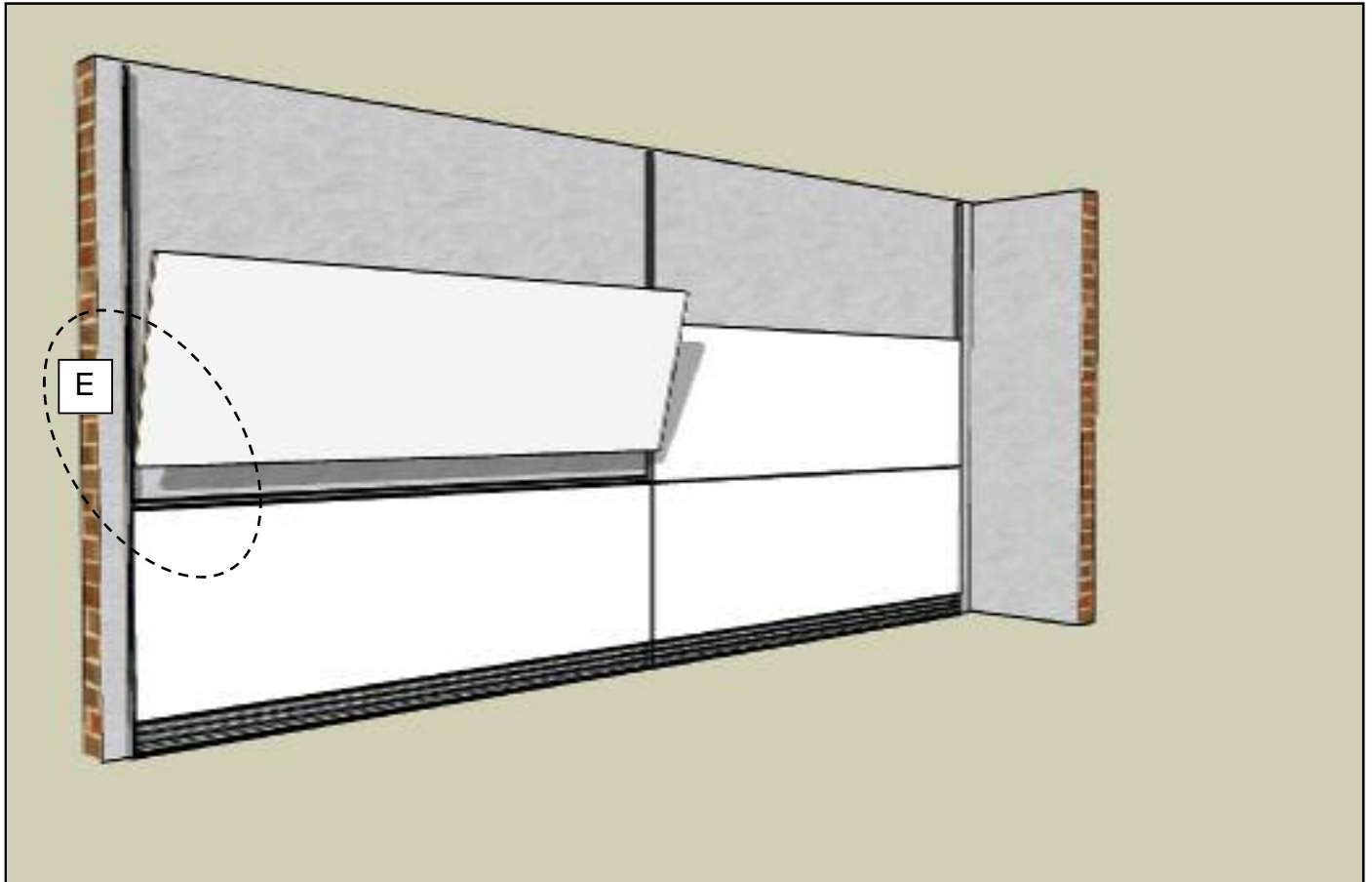


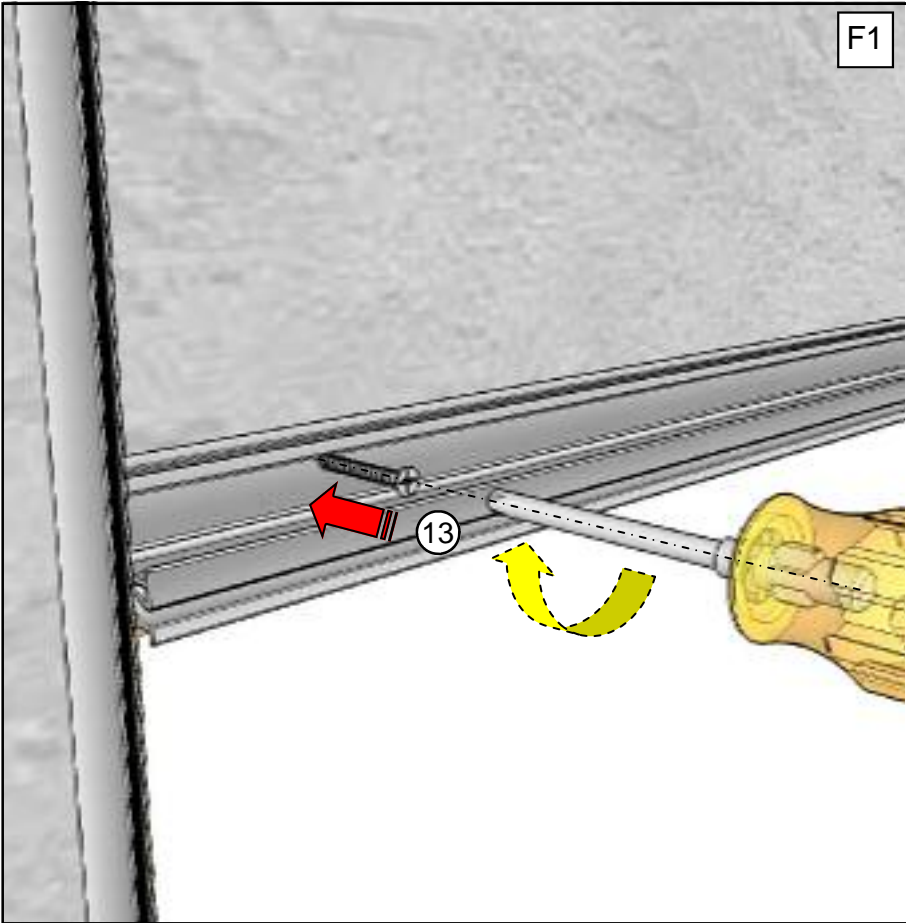
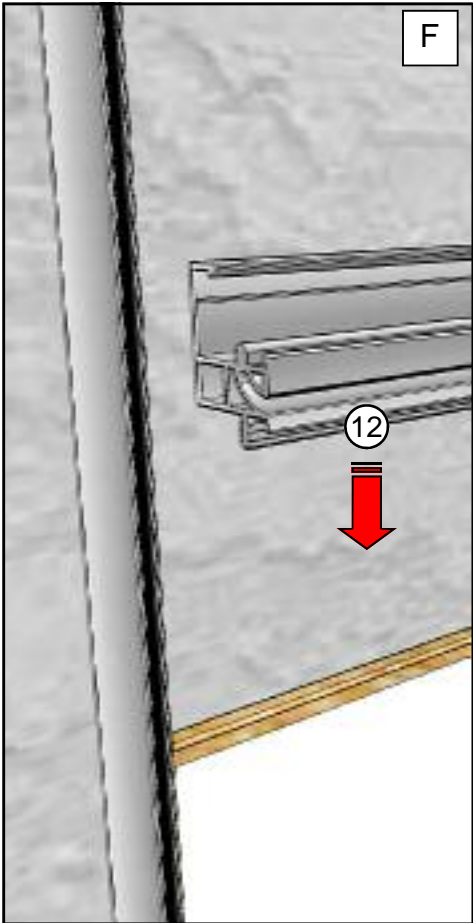
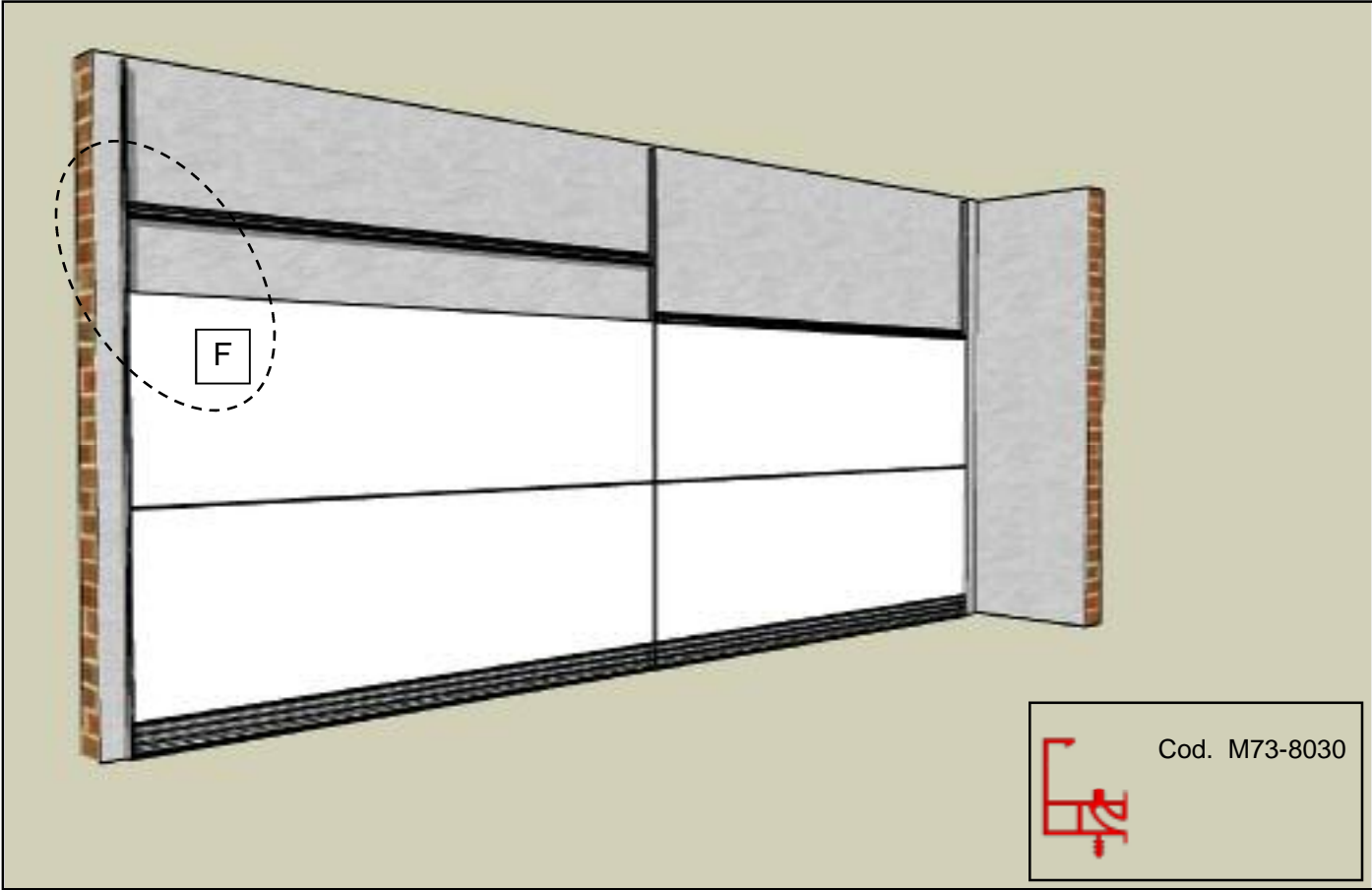




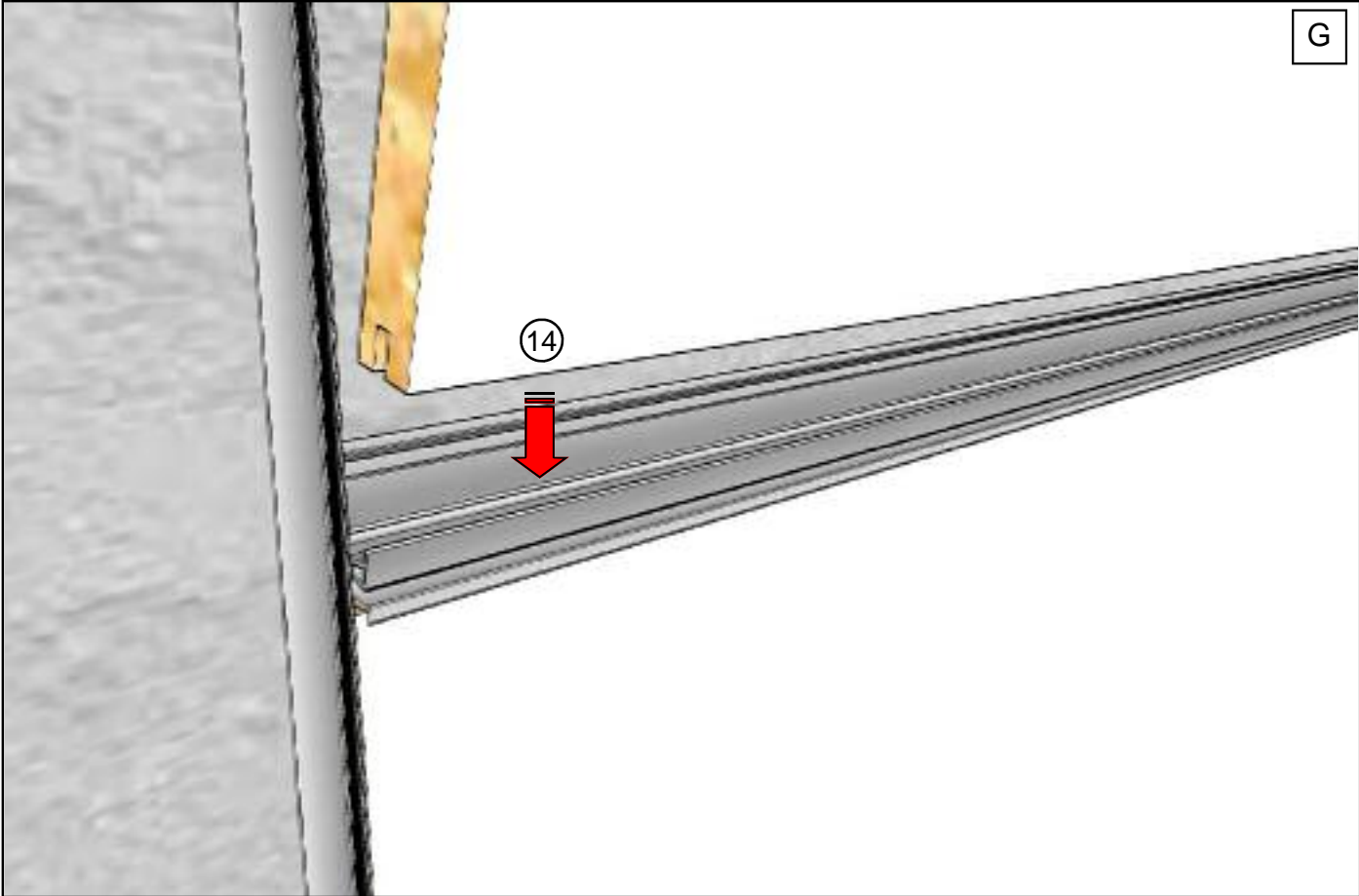
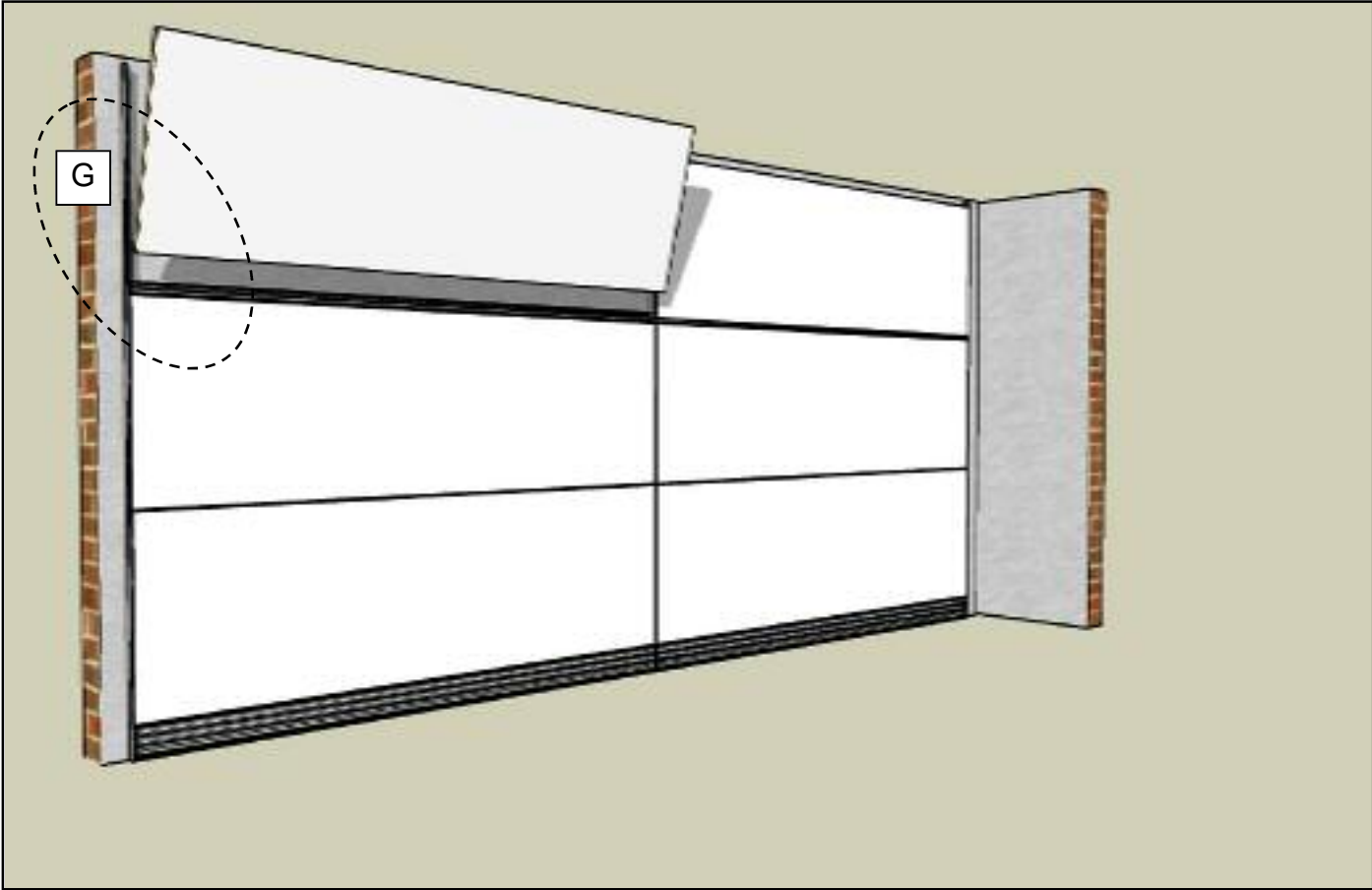


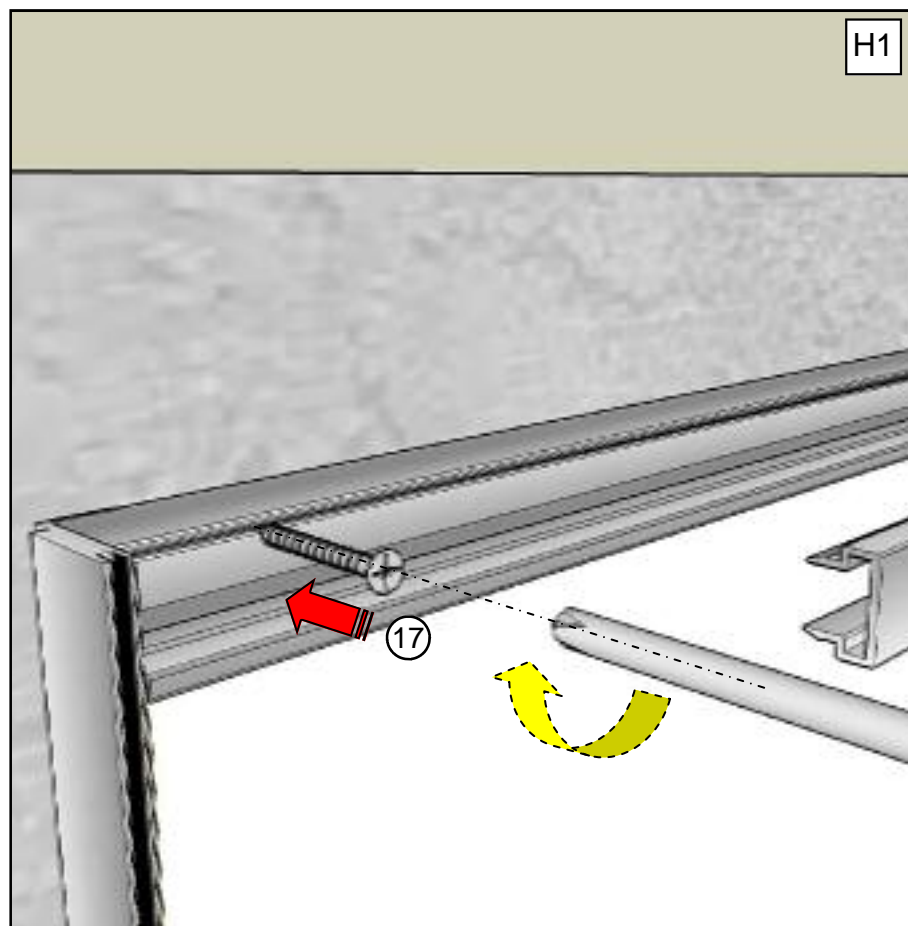
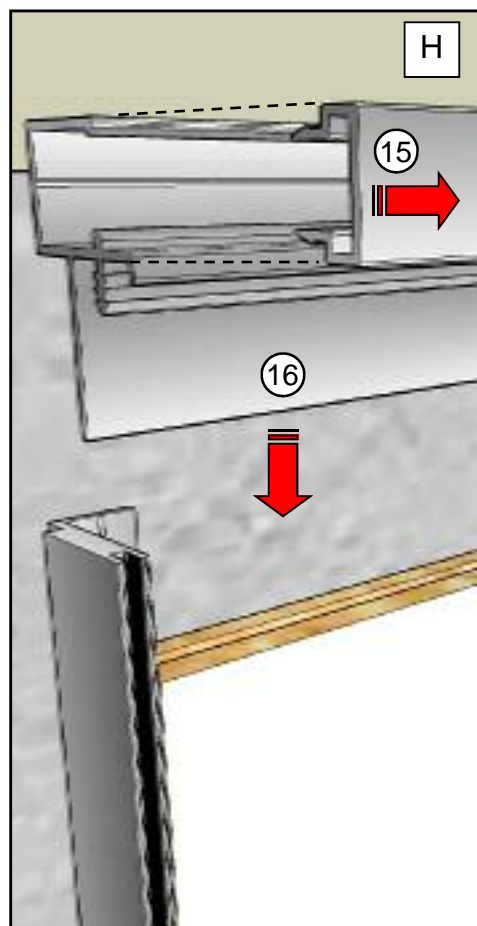
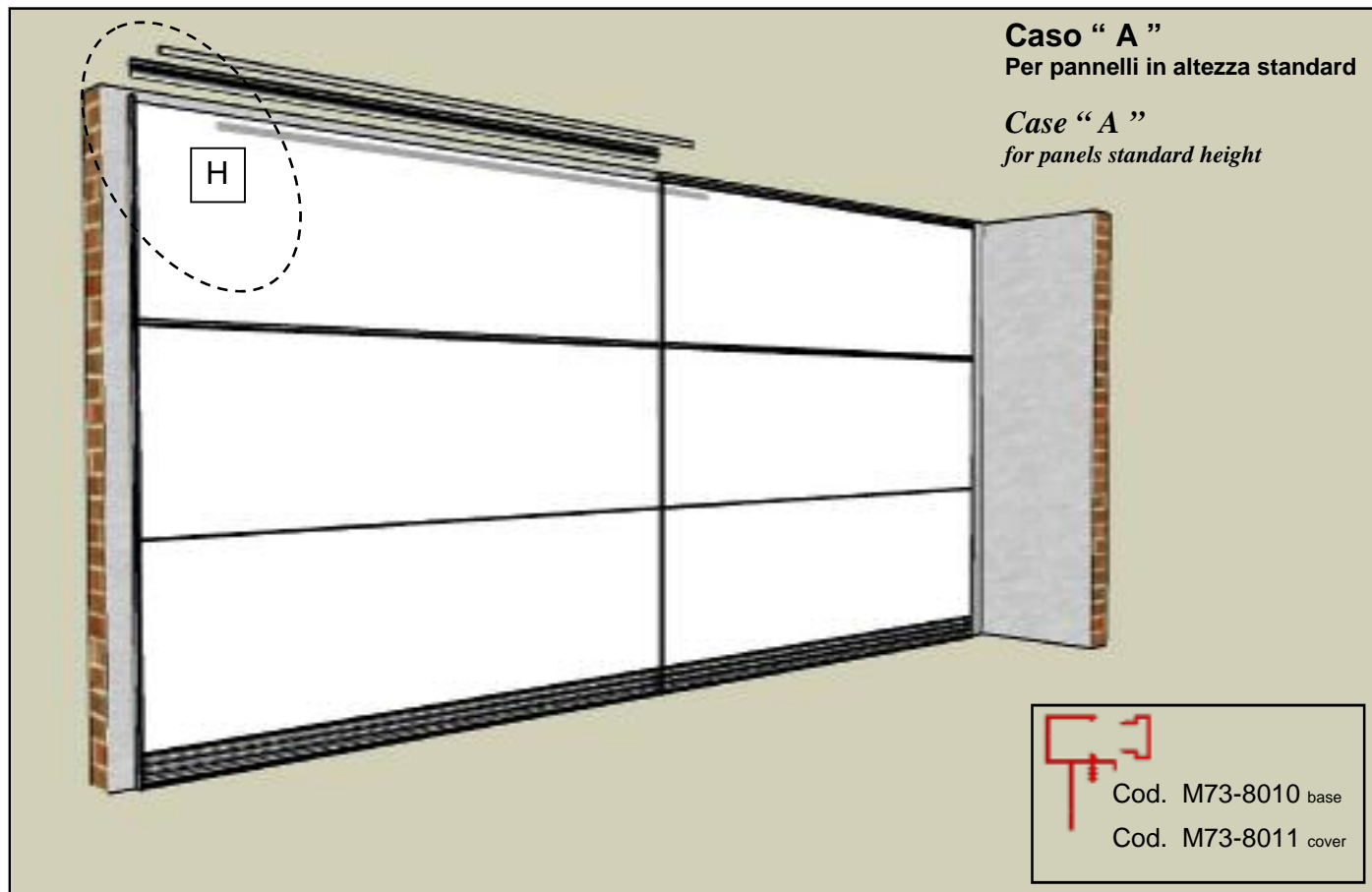


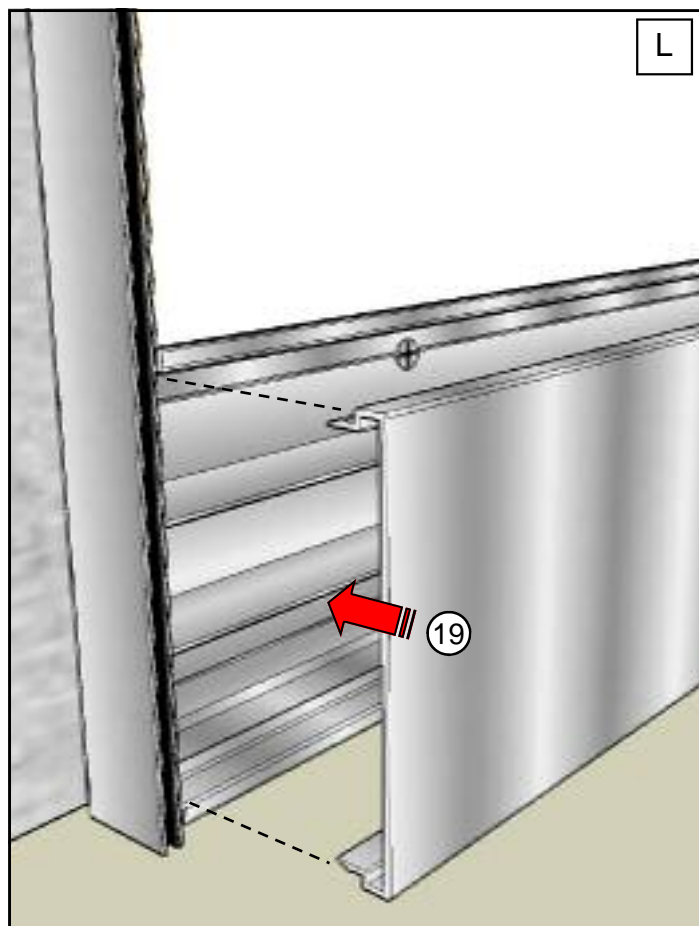
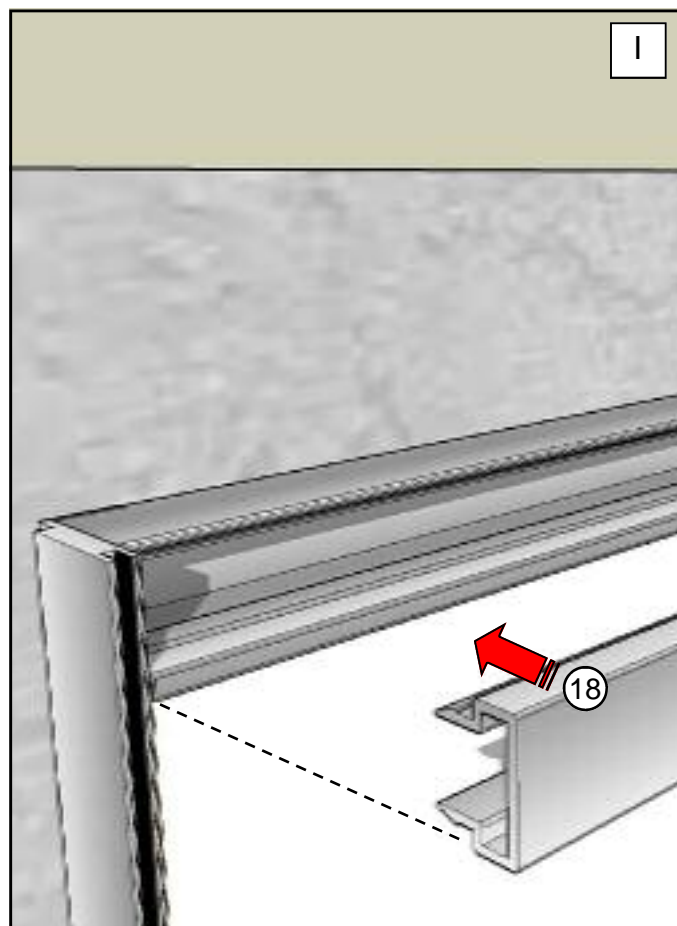
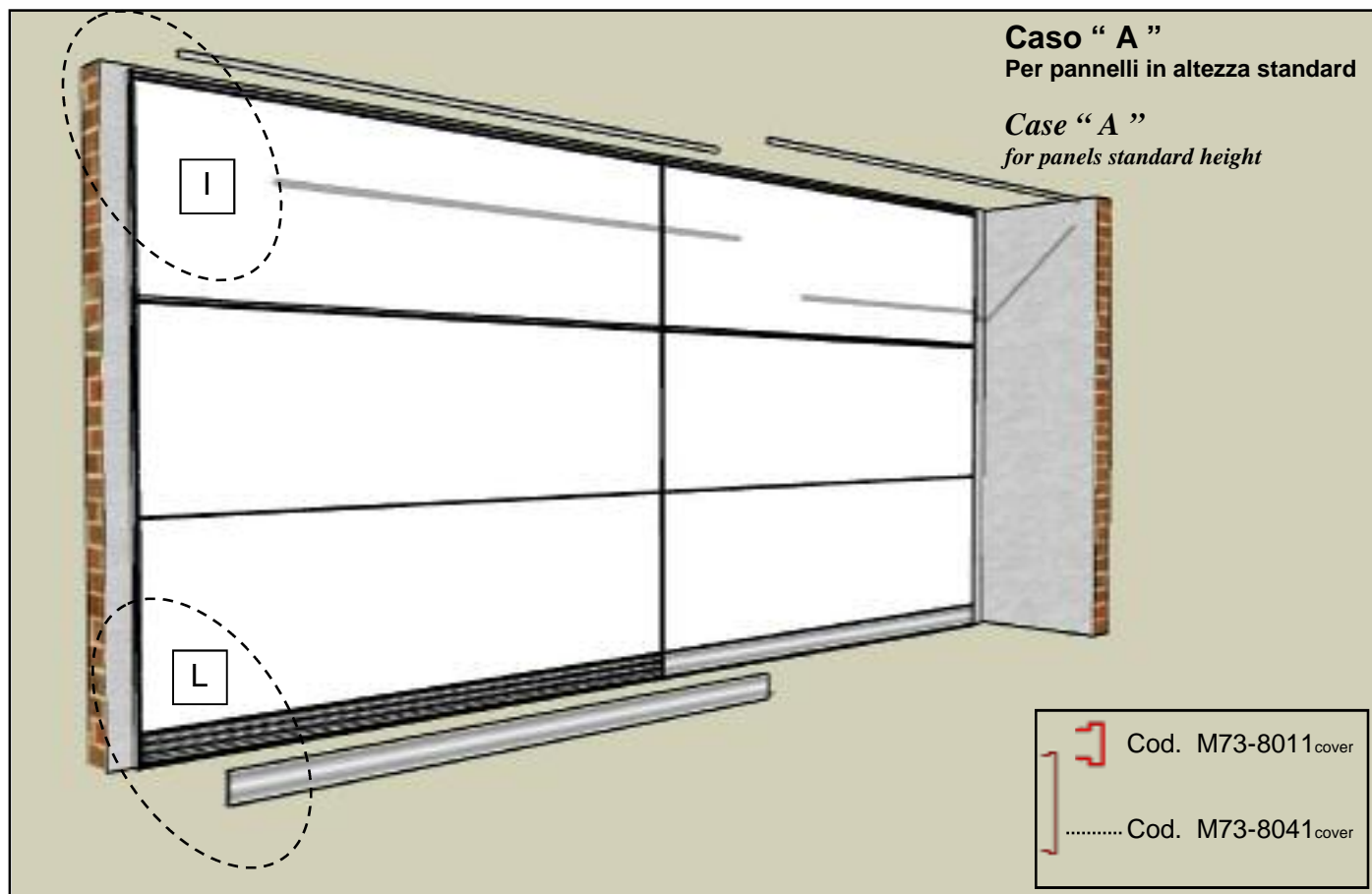


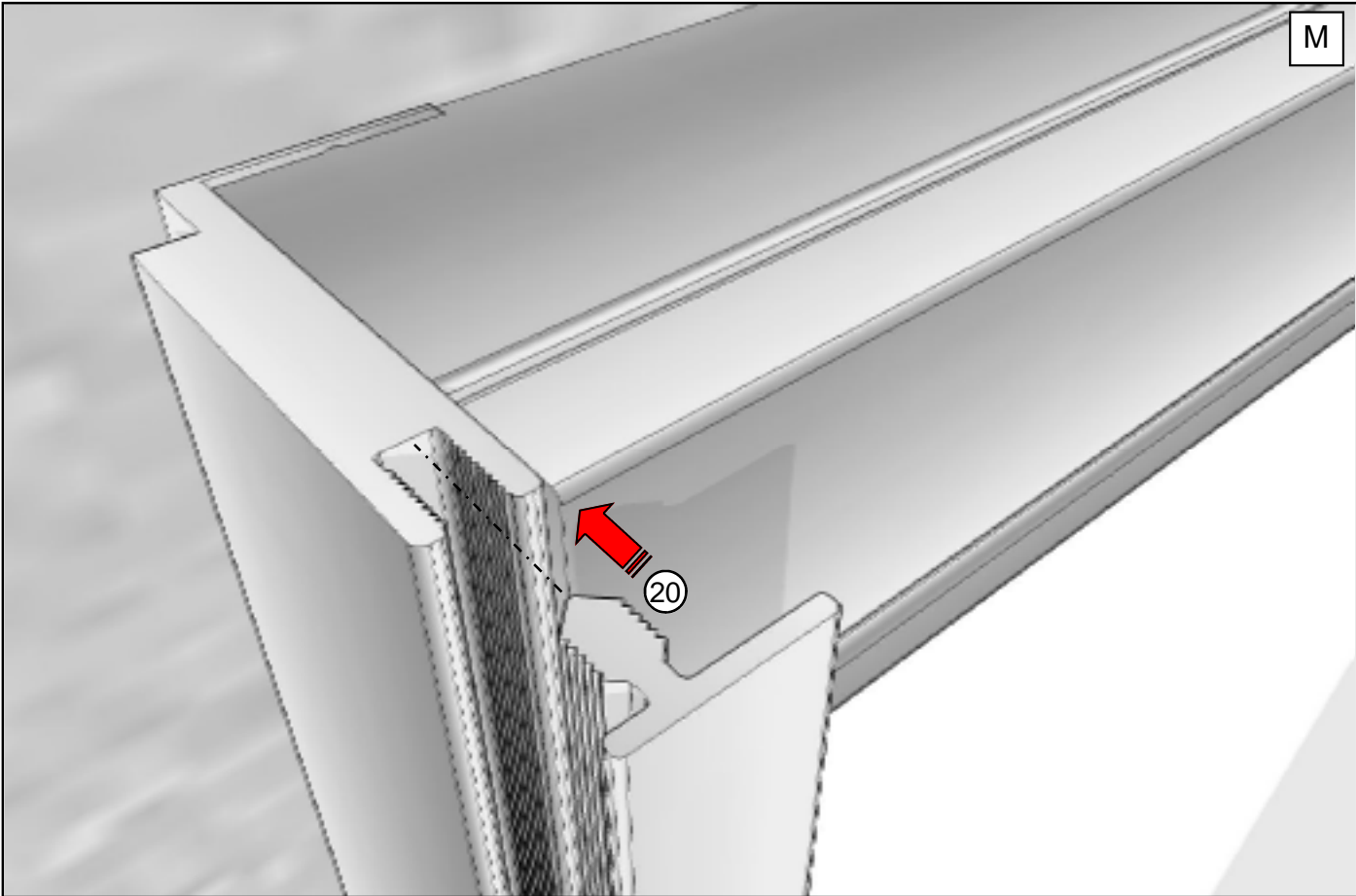
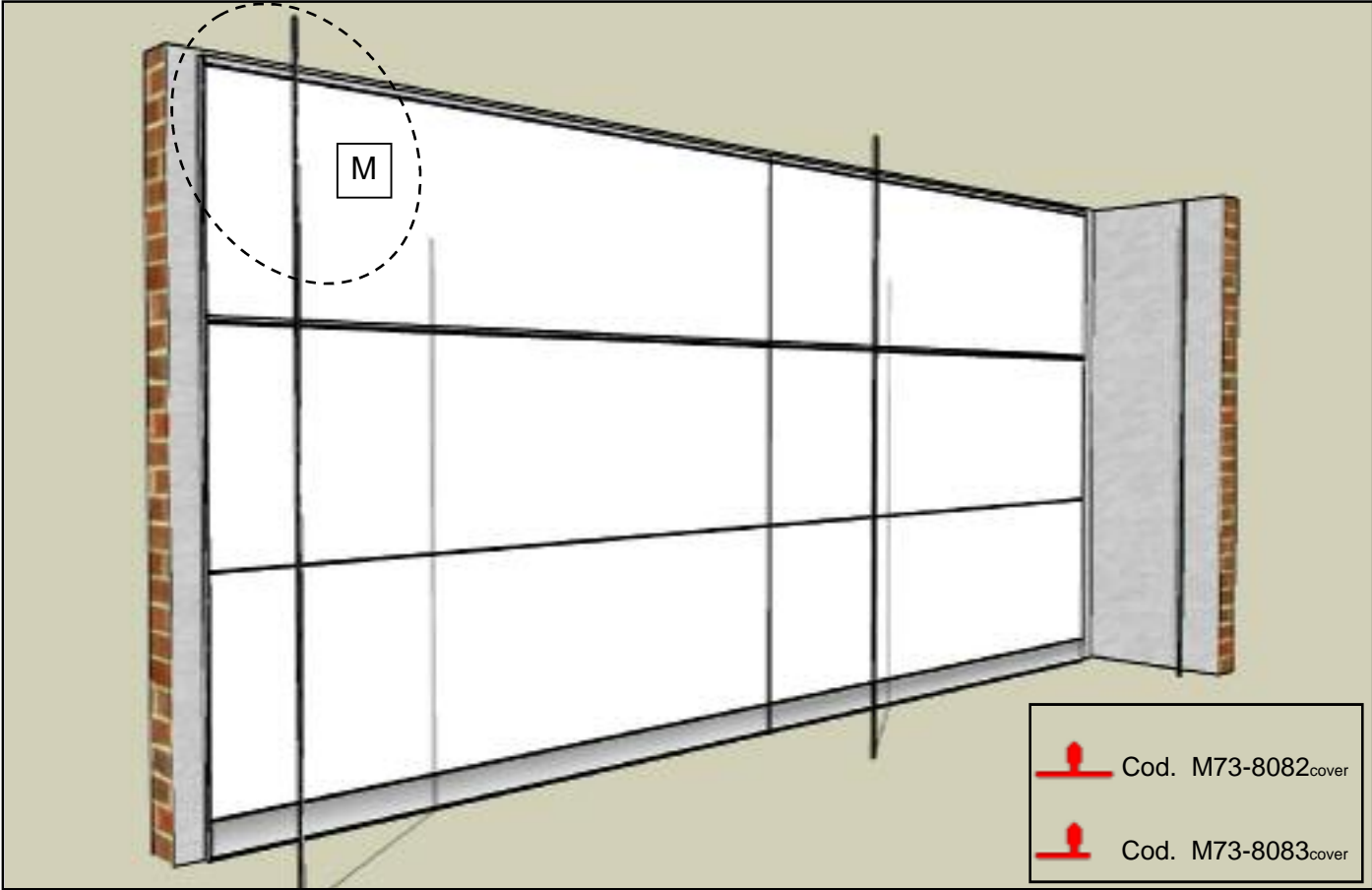












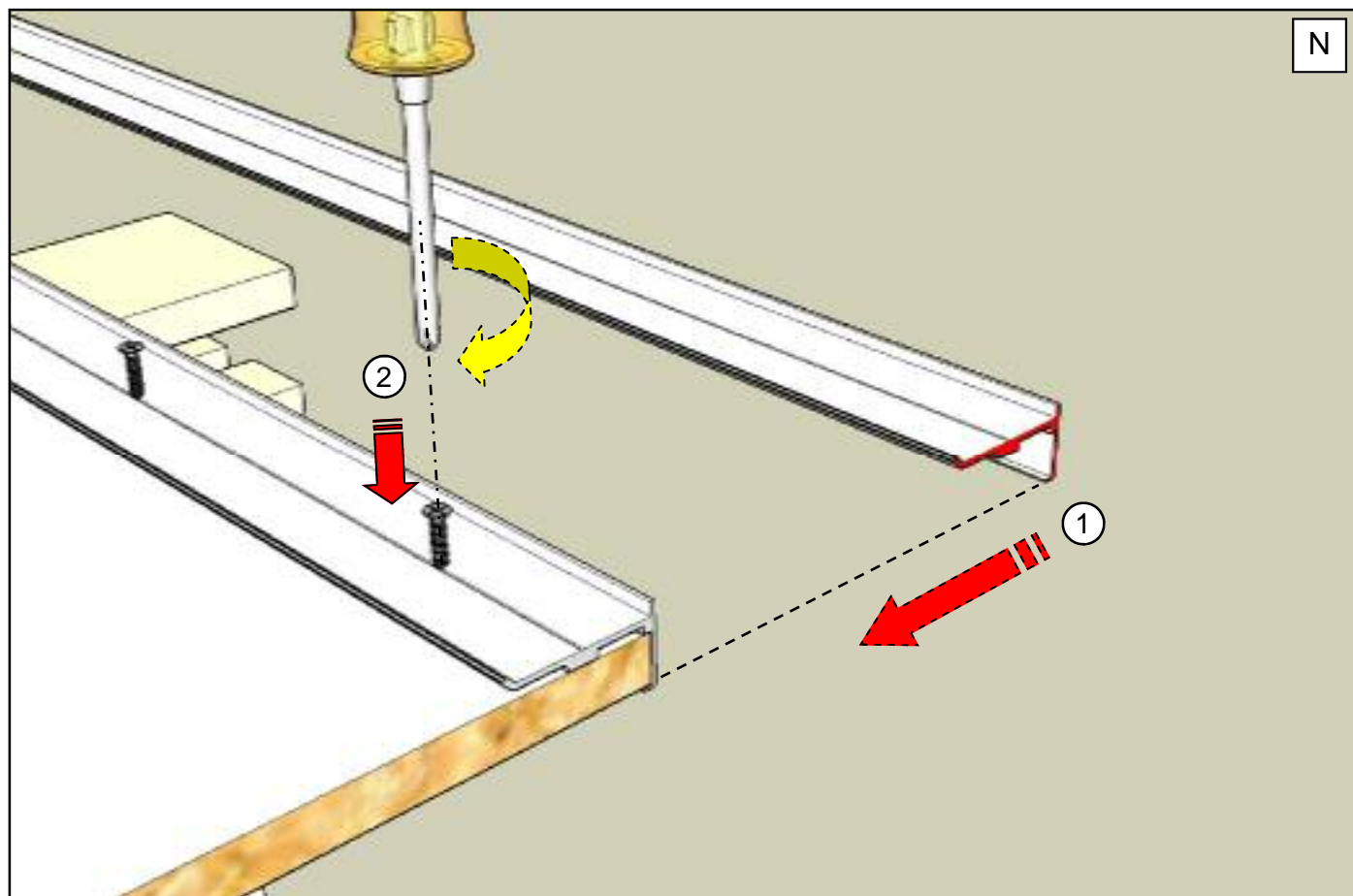
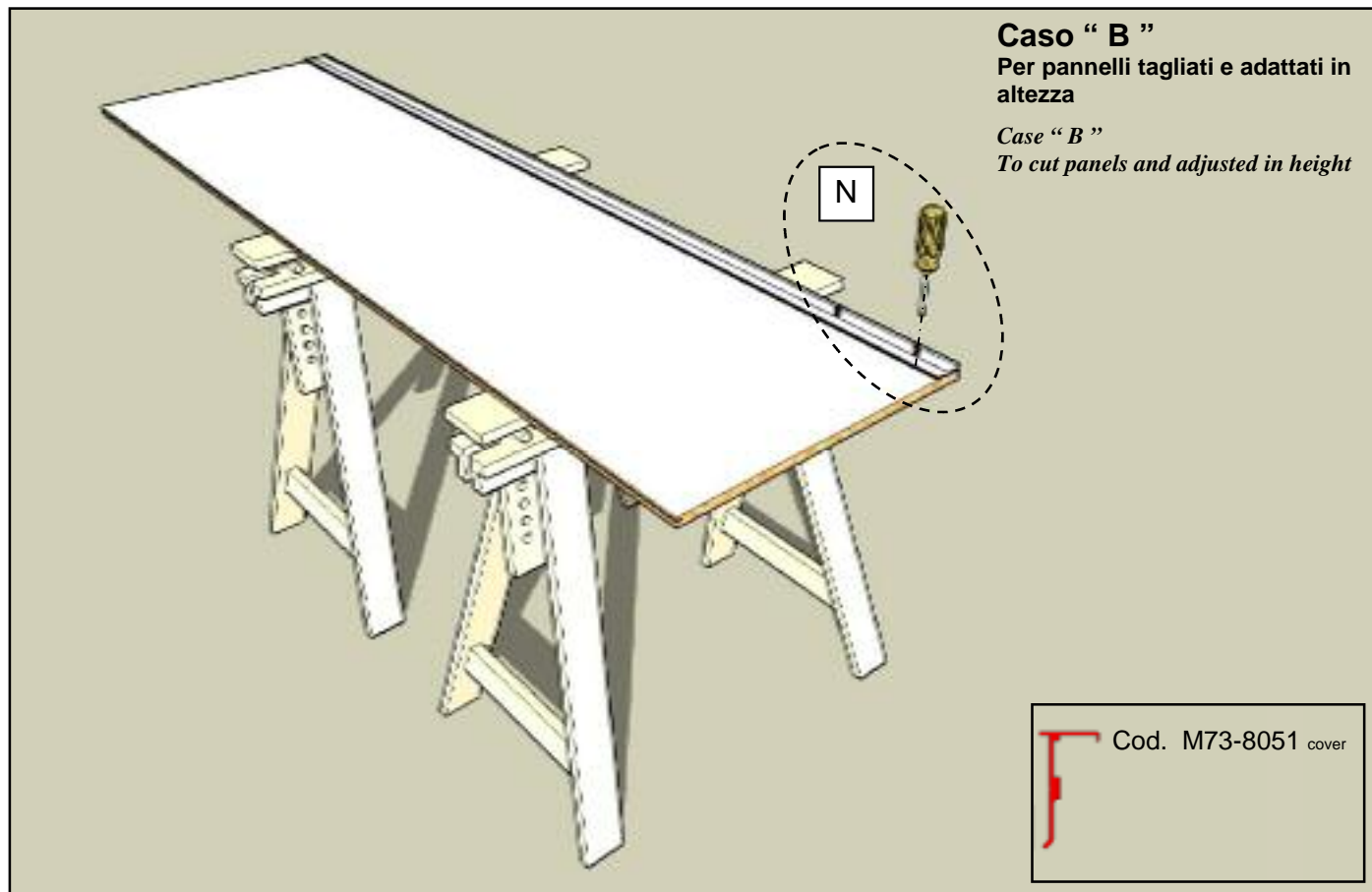


### Caso " B "

Per pannelli tagliati e adattati in altezza

Case " B "

To cut panels and adjusted in height



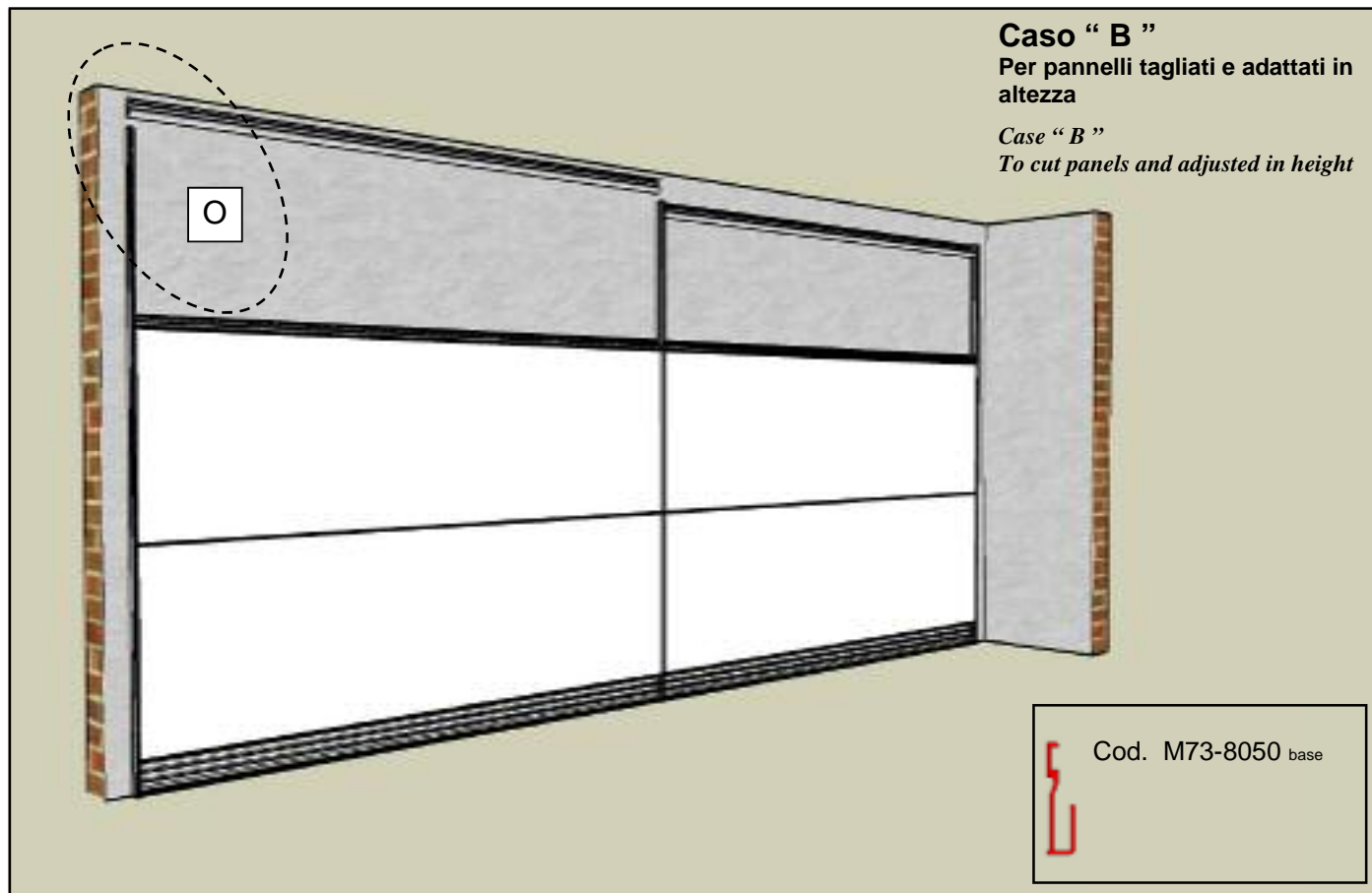


### Caso " B "

Per pannelli tagliati e adattati in altezza

Case " B "

To cut panels and adjusted in height



Cod. M73-8050 base

